



Fully automatic sleevewrapper

Super Wrap 650 and 950 de Luxe in-line

One machine does (almost) everything!

The Super Wrap de Luxe In-Line sleevewrapper is characterised not only by its acceptance of a wide variety of applications but is also impressive in terms of its speed and reliability. Glass, cans, cartons and boxes, both single and multitier, with and without trays, can be automatically handled at pack rates up to 28 per minute. Available in two width versions, the Super Wrap 650 and 950, allow clearances of 650 mm and 950 mm respectively. For larger applications, a third machine option is available offering a width clearance from 1300 mm up to 1600 mm. In conjunction with the latest technology HV Shrink Tunnel, the Super Wrap de Luxe In-Line, is capable of achieving fully enclosed packs with side fusion seal, whilst maximising film savings.

Super Wrap is a name synonymous with a machine concept, meeting the most stringent demands with regard to flexibility and reliability. As the last link of the production chain, Kalfass products hold a particular significance. Maximum availability and trouble free operation of the packaging unit are a determining factor in the successful operation of the entire production process. The Super Wrap de Luxe In-Line is a machine you can rely on in demanding production conditions.



Complete Packaging Solutions & Systems, Inc.

Kalfass 
Results count.

Facts, data, figures

Technical Data	Super Wrap 650 de Luxe In-Line	Super Wrap 950 de Luxe In-Line
Film (flat film):	up to 120 µm	up to 120 µm
Outside diameter of film reel:	max. 16 in.	max. 16 in.
Width of film roll:	650 mm top roll, 620 mm bottom roll	1000 mm top roll, 920 mm bottom roll
Clearance width:	26 in.	37 in.
Clearance height, adjustable:	4 – 16 in.	4 – 20 in.
In-line transport conveyor (infeed area):	length 24 in., divided in 2 parts	length 24 in., divided in 2 parts
Discharge conveyor (outfeed area):	length 24 in., divided in 2 parts	length 24 in., divided in 2 parts
Operator interface:	Touchpanel SIEMENS	Touchpanel SIEMENS
Seal system – seal bar with exchangeable sealing ledge in profile contour, continuous heating, temperature thermostat-controlled, with special coating, maintenance-free, completely odourless operation:	Included	Included
Pneumatically operated equipped with safety brake cylinders:	Included	Included
Film tear and film end control:	Included	Included
Upper and lower film pre-dispensing for extremelx light products:	Included	Included
Upper and lower film reel motor-driven:	Included	Included
Seal bar equipped with opto-electronic safety device to protect sensitive products as well as for optimum operation safety:	Included	Included
Compressed air operated film blowing-up device to separate film from lower seal bar:	Included	Included
Industrial programmable controller (PLC):	SIEMENS S7	SIEMENS S7
Infinitely adjustable speed of both transport conveyors by means of frequency transformer, incl. smooth-start:	range of adjustment approx. 10 - 30 m/min	range of adjustment approx. 10 - 30 m/min
Pneumatically operated holding-down device:	adjustable in height	adjustable in height
Product length, min. approx.:	5 in.	5 in.
Power supply 400 V:	50 Hz, 3-phase, with protective earth conductor	50 Hz, 3-phase, with protective earth conductor
Rated capacity / Rated current at 400 V:	5.0 kVA / 7.2 amps	5.0 kVA / 7.2 amps
Compressed air supply / Compressed air consumption:	6 bar / appr. 20 l/cycle	6 bar / appr. 25 l/cycle
Colour:	Kalfass Anthracite	Kalfass Anthracite

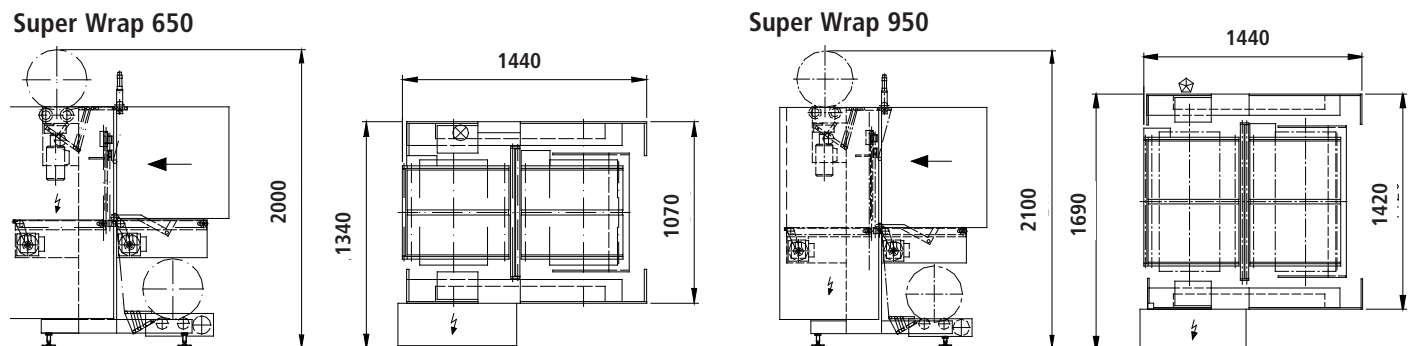
Options at extra cost

- Clearance in height 500 mm
- Free rotating counter seal bar (without wear parts such as Teflon tape or Silicone)
- Pneumatically operated flaps in discharge area for stopping of stacked products in sealing position
- Electrical lifting device for easier handling of heavy film reels up to a weight of 80 kg, with swivel mechanism, incl. stand-by film reel station on top
- Stand-by film reel station for bottom reel, laterally extensible
- Manual film splicing unit for lower and upper film reel
- Machine on castors for mobility
- Special colour (structure lacquer, monochromatic)
- Special voltage (for standard voltage see technical data)

Remark: alongside the machines listed here, the Kalfass range also contains Super Wrap de Luxe models with angular infeed and different clearance widths.

Machine dimensions (approx. in mm):

(This drawing may show options which are not included in the basic machine version and are available against up-charge only.)



CPS&S Inc.
770-751-7400
Website: www.kalfass-us.com
Email: info@kalfass-us.com

